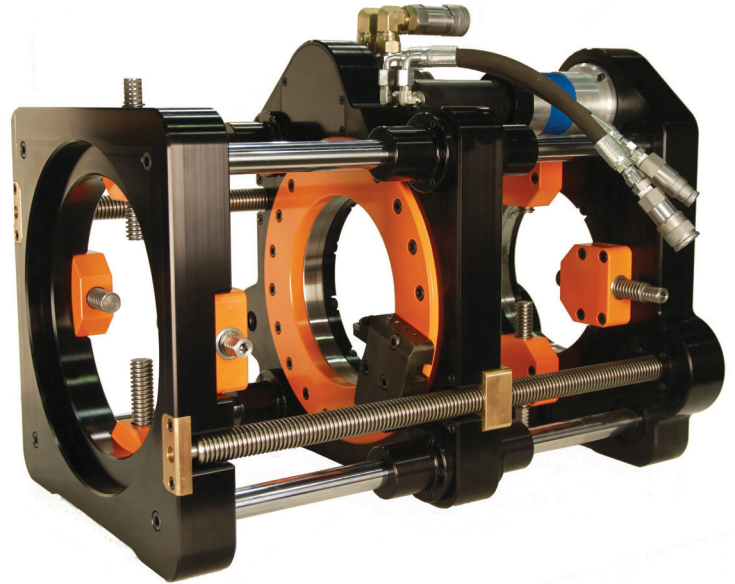




ILT-1000 InLine Turning Machine

ADVANTAGES

- Induction hardened chrome guide bars
- Precision linear guide bearings
- Twin lead-screws for balanced feeding
- Capable of doing stub shafts or inline turning
- Variable speed feed control
- Variable and reversible rotation rates
- Two position feed motor, rapid traverse clutch, ability to cut threads
- X/Y adjustable mounting
- Custom sizes for unique applications
- High quality alloys and fittings, 20-ft hoses
- Custom split frame available on request



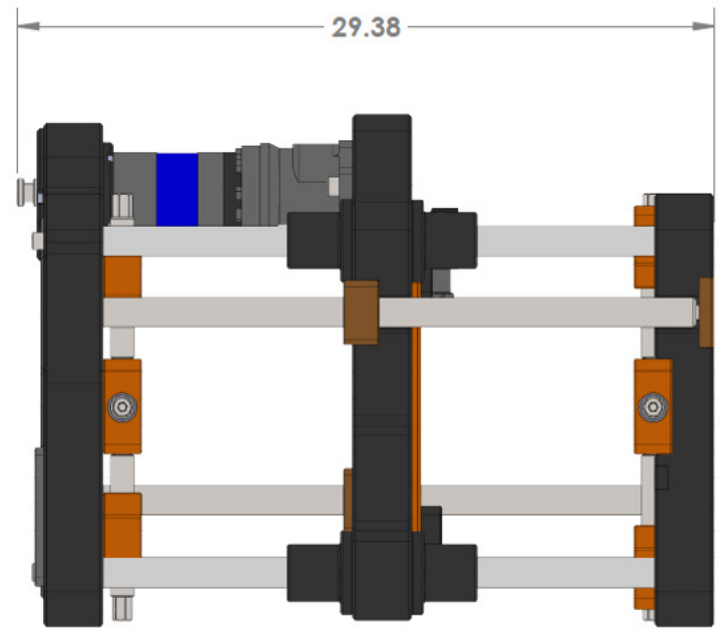
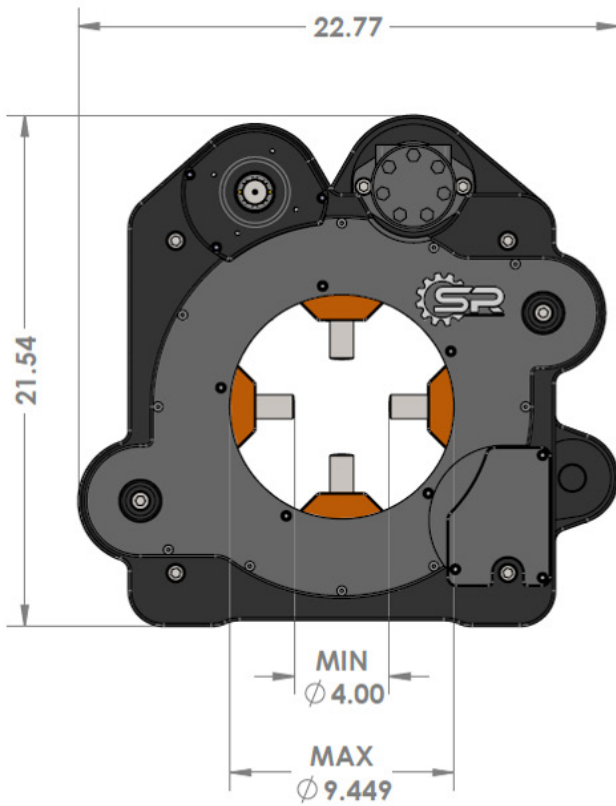
APPLICATIONS

- Bearing Journals
- Shafts
- Pulp & Paper
- Manufacturing Industries
- Agriculture
- Aerospace
- Construction
- Mining
- Oil & Gas
- Hydro Electric

PRODUCT DESCRIPTION

SPR's ILT-1000 InLine Turning Lathe is the perfect tool for on-site resurfacing of large shafts, stub shafts, and bearing journals/seats, requiring little disassembly or costly relocation of equipment. These machines run on precision linear guide bearings and are driven by two lead screws for balanced feeding. Both feed and rotation are hydraulically driven with continuous speed control and are independently adjustable while in use.

The ILT-1000 is offered in both standard and custom sizes for unique applications. This model uses external clamping rods which will accommodate diameters from 4.00 in to 9.44 in (101.60 mm to 238.76 mm). The standard ILT-1000 has 15.5 in (393.70 mm) of linear travel. Optional travel lengths are available on request.



SPECIFICATIONS

Machining Performance Range		ILT-1000
ID Mounting Range:	Min Diameter	4.0 in (101.60 mm)
	Max Diameter	9.4 in (238.76 mm)
Drive System		
Max Feed		.75 in (19 mm) / min
Max RPM		270 rpm
Measurements		
Machine Weight		320 lbs (145.15 kg)
Shipping Weight		550 lbs (250 kg)
Dimensions		
Machine (LxWxH)		Refer to drawing above.
Crate/Shipping (LxWxH)		48 in x 24 in x 27 in (1219.20 mm x 609.60 mm x 685.80 mm)



833.447.3777



info@sprtool.com



sprtool.com